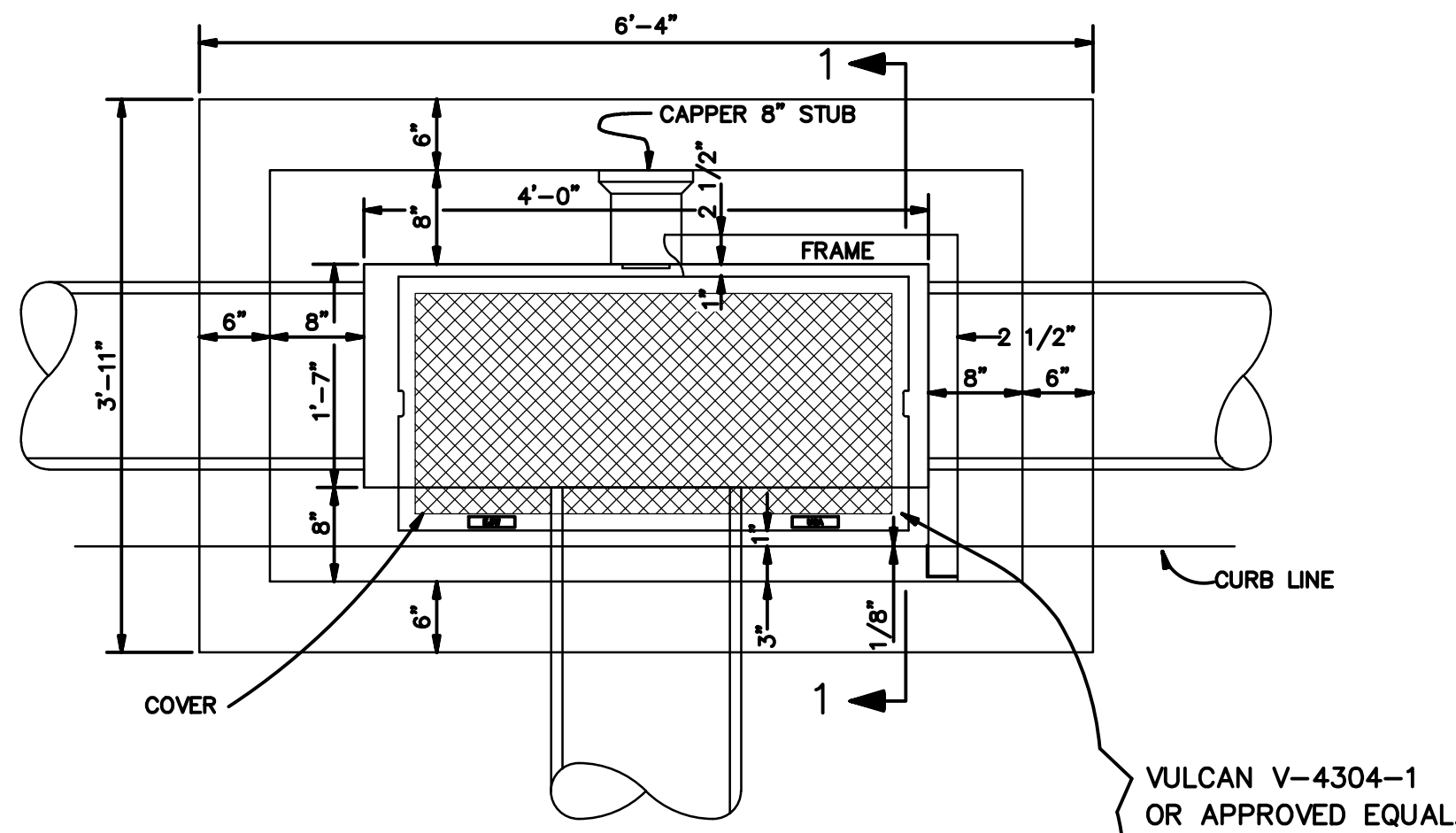
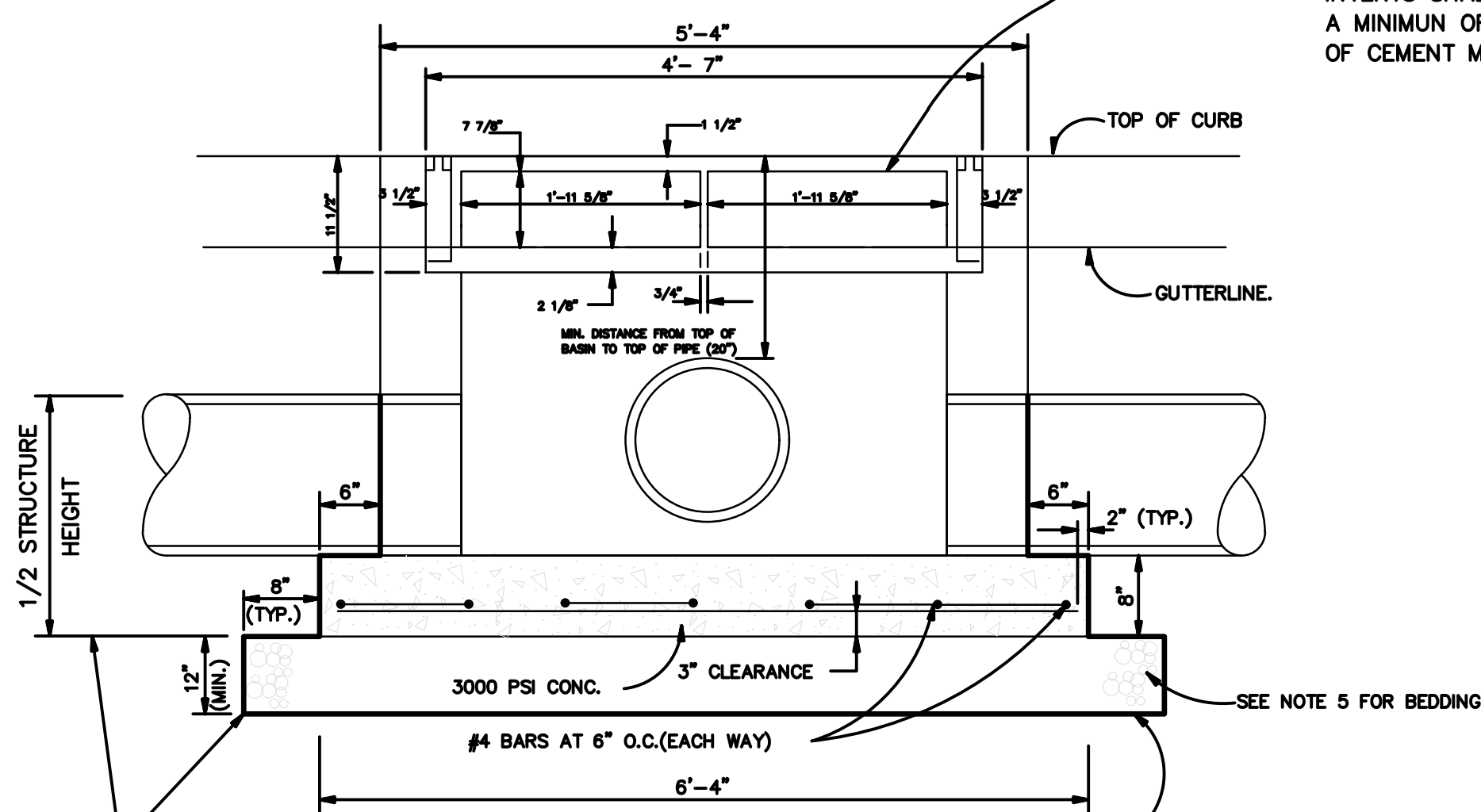


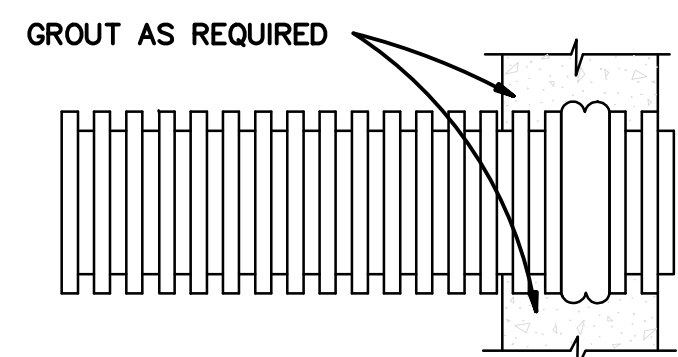
NOTE: ALL GREY IRON CASTINGS FOR MANHOLES AND CATCH-BASINS OF ALL TYPES SHALL CONFORM TO THE REQUIREMENTS OF A.S.T.M. A-48, CLASS 30 AND SHALL BE FURNISHED WITHOUT PAINT. (M306-891) CASTING MUST BE OF DOMSETIC UNITED STATES MANUFACTURE ONLY.



PLAN OF TYPE 1 CATCH BASIN

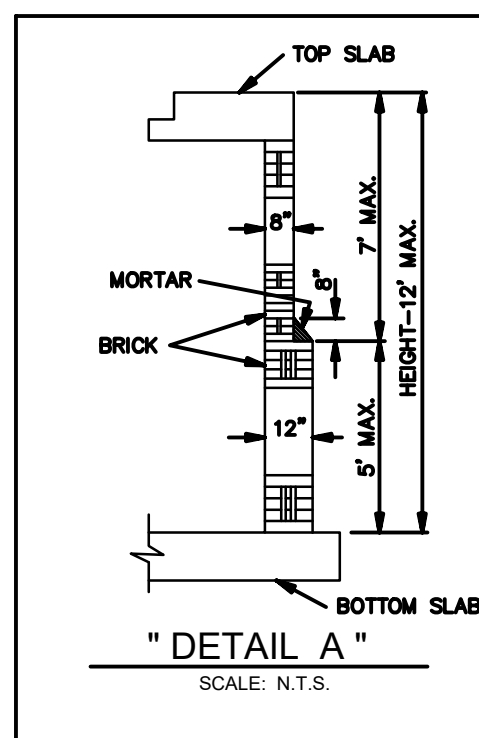


FRONT ELEVATION TYPE 1 CATCH BASIN

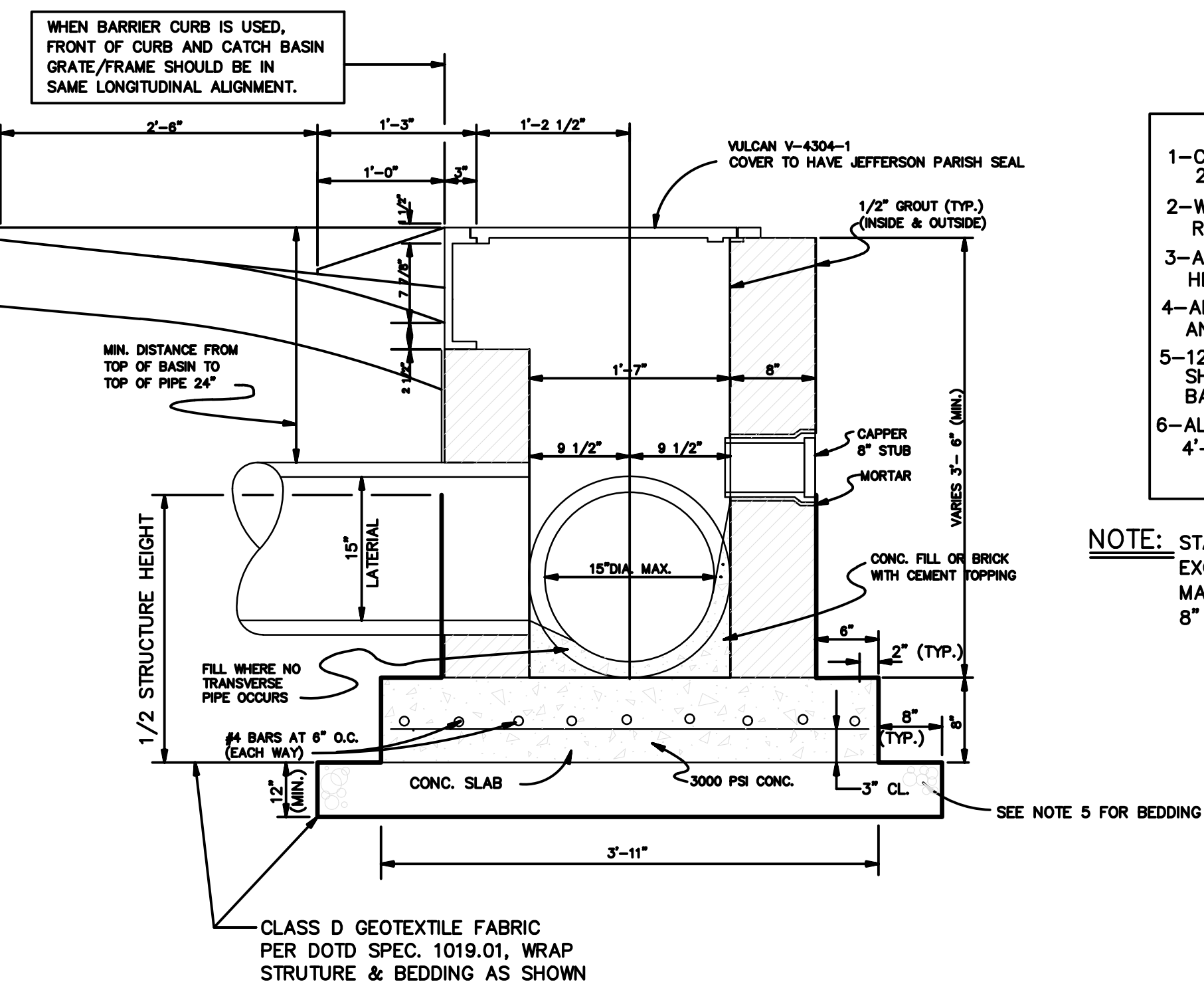


USE ONE STANDARD DOUBLE GASKET, POSITIONED ON THE PIPE IN THE CENTER OF THE MANHOLE WITH THE LEADING (LOWER) EDGE OF GASKET CLOSEST TO THE INSIDE OF THE MANHOLE.

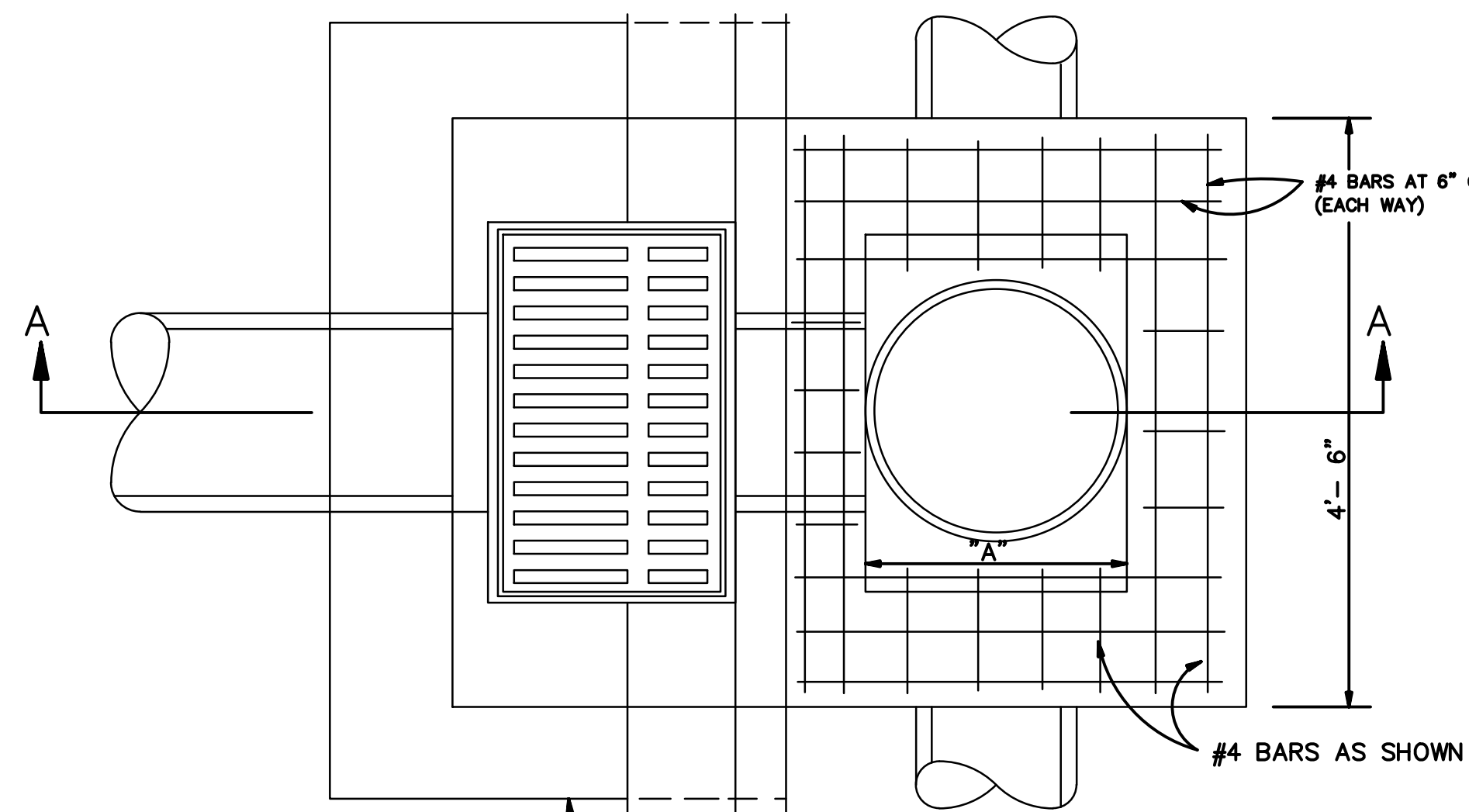
**PLASTIC PIPE CONNECTION AT MANHOLE**  
N.T.S.



NOTE: INVERTS SHALL BE SURFACED WITH A MINIMUM OF 1/2" LAYER OF CEMENT MORTAR.



TYPE 1 CATCH BASIN SECTION 1



PLAN OF TYPE 3 CATCH BASIN

SEE TYPE #2 CATCH BASIN FOR DETAIL OF BOXING OUT CATCH BASIN.

**NOTES:**

THE DEPARTMENT OF ENGINEERING RESERVES THE RIGHT TO MODIFY PIPE BEDDING REQUIREMENTS IN ACCORDANCE WITH EXISTING FIELD CONDITIONS ENCOUNTERED DURING CONSTRUCTION.

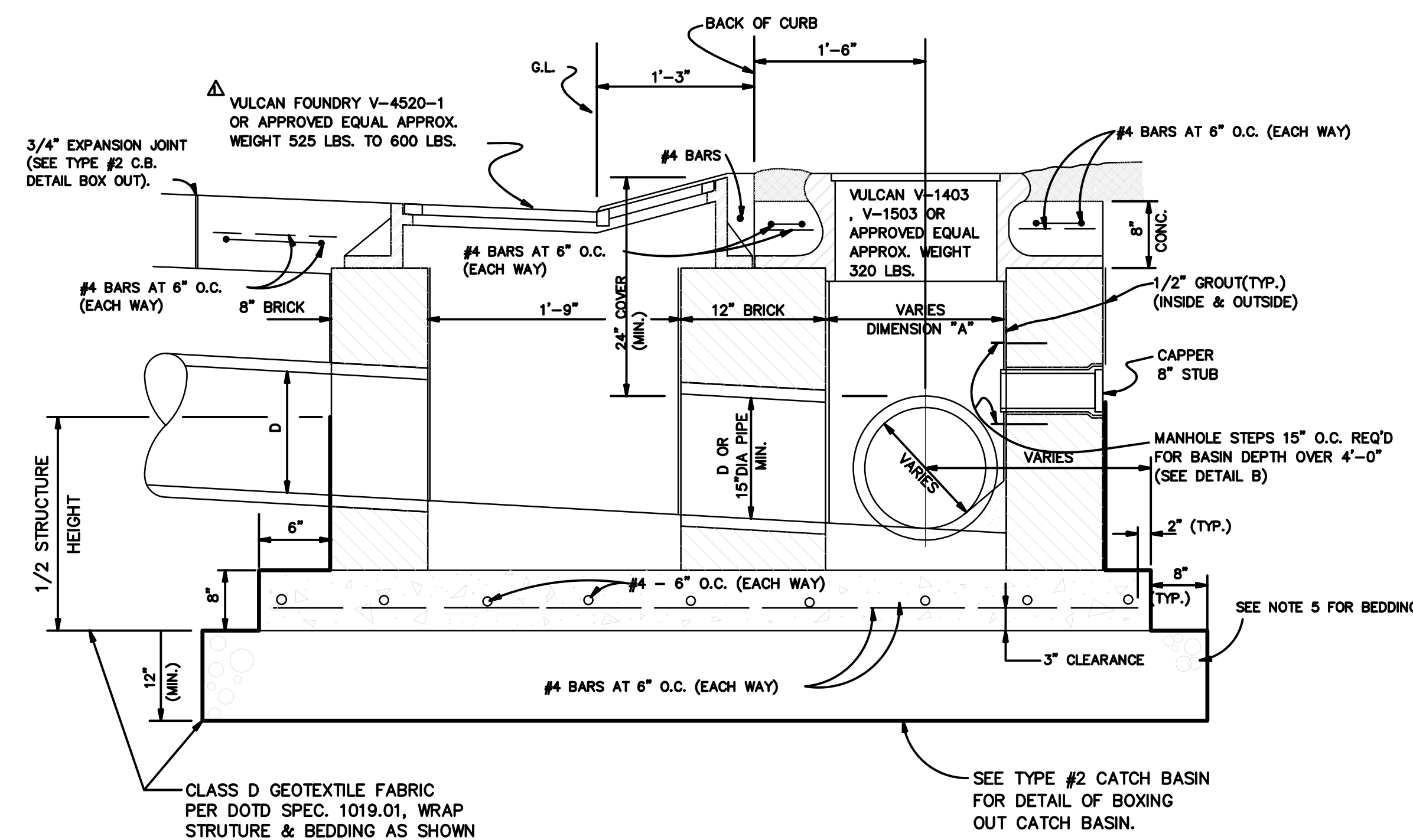
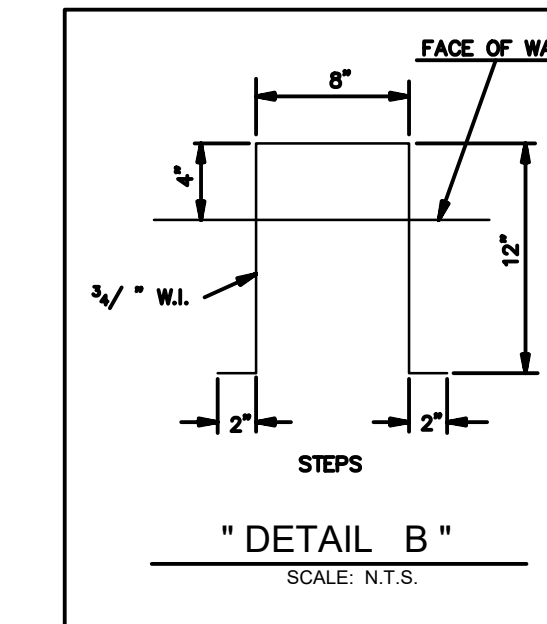
ALL CONCRETE PIPE SHALL BE A.S.T.M. C-76 CLASS III, WALL B, REINFORCED CONCRETE PIPE WITH TYPE 2 JOINT, AND WRAPPED WITH AN 36" PLASTIC FILTER CLOTH (D.O.T.D. SPEC. 1018.15) CENTERED ON THE JOINT AND LAPPED 30". RECTIFY PIPE, COMMONLY CALLED "SECONDS", WILL NOT BE ACCEPTABLE.

**NOTES**

- 1-CONCRETE STRENGTH TO BE 3,000 PSI (MIN.) AT 28 DAYS.
- 2-WALL THICKNESS SHALL BE BASED UPON BASIN HEIGHT. REFER TO DETAIL "A" (SEE BELOW).
- 3-ALL MASONRY TO BE LAID WITH RUNNING BOND AND HEADER COURSE (EVERY FOURTH LAYER).
- 4-ALL WALLS TO BE PLASTERED 1/2" THICK INSIDE AND OUTSIDE.
- 5-12" THICK CRUSHED LIMESTONE BEDDING FOUNDATION SHALL BE REQUIRED UNDER MANHOLES AND CATCH BASINS.
- 6-ALL CATCH BASINS AND MANHOLES GREATER THAN 4'-0" DEEP ARE REQUIRED TO HAVE IRON STEPS.

NOTE: STANDARD FOR DIMENSION "A" IS 24". WHEN DIMENSION "A" EXCEEDS 24" CASTING BECOMES PATTERN NO. VM - 6 AS MANUFACTURED BY VULCAN FOUNDRY OR APPROVED EQUAL AND 8" REINFORCED CONCRETE SLAB IS REQUIRED AS CASTING SEAT.

DIMENSION "A"	REINFORCING	
	# SIZE	# EA. WAY
24" (STANDARD)	# 4	4
24" - 27"	# 5	4
27" - 30"	# 5	6
30" - 36"	# 5	8
36" - 48"	# 6	10



TYPE 3 CATCH BASIN SECTION A-A

PROJECT NAME :

PROJECT NUMBER:



DATE: 08.09.2019  
DRAWN BY: MF/AR  
SCALE: NTS  
FILENAME: S:\Public Works Shared\St. Bernard Standard Details

**ST. BERNARD PARISH GOVERNMENT**  
STANDARD DETAIL PLANS  
DRAINAGE DETAILS (2 OF 3)

APPROVED BY: \_\_\_\_\_  
DATE: \_\_\_\_\_  
THIS DOCUMENT WILL BE CONSIDERED A COPY ONLY, UNLESS EMBOSSED BY A REGISTERED ENGINEER'S SEAL.

DRAWING NUMBER: **SD - 6**  
SHEET 6 OF 13