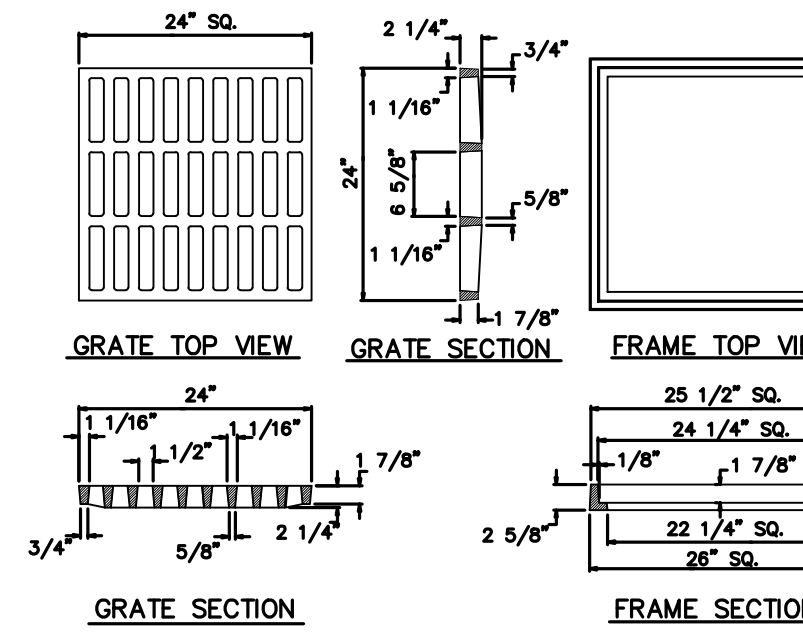


- NOTES:
- CULVERT SIZE SHOWN PERTAIN TO B & S PIPE. (UNLESS OTHERWISE SPECIFIED).
 - CONCRETE STRENGTH TO BE 3,000 PSI (MINIMUM) AT 28 DAYS.
 - DIMENSIONS FOR BOTTOM SLAB AS PER DIMENSIONS FOR WALLS "A" AND "B".
 - WHEN BOX IS 7'-0" OR LESS IN HEIGHT, WALLS TO BE 8" THICK. WHEN BOX HEIGHT IS GREATER THAN 7'-0" BUT LESS 12'-0", SEE DETAIL "A".
 - WIDTH OF SHEL BEDDING SHALL BE AS PER DIMENSIONS SHOWN FOR WALLS "A" AND "B" PLUS 2'-0".
 - ALL MASONRY TO BE LAID WITH RUNNING BOND AND HEADER COURSE (EVERY FOURTH LAYER).
 - ALL WALLS TO BE PLASTERED INSIDE AND OUTSIDE (1/2" MIN. THICKNESS).
 - ALL GRATES AND FRAMES SHALL BE VULCAN FOUNDRY OR APPROVED EQUAL. ALL CAST IRON TYPE AND WITHOUT PAINT.

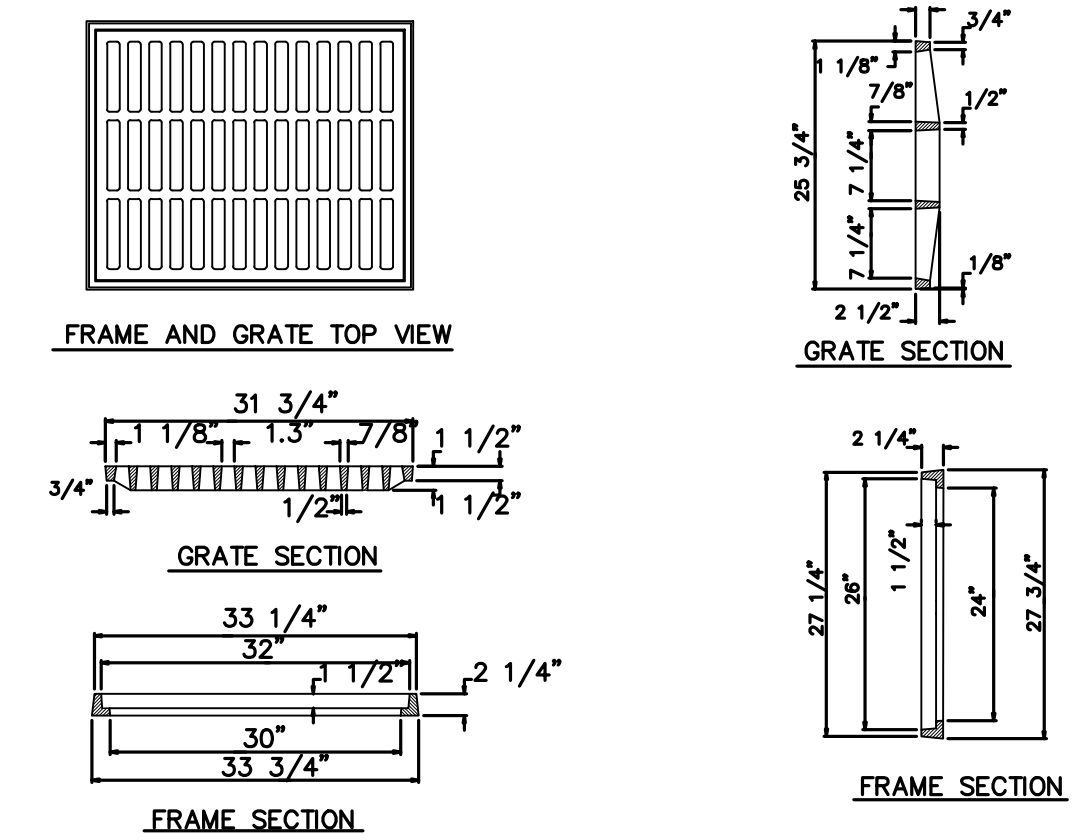
A NOTE:
ALL GREY CASTINGS FOR MANHOLES, AND CATCH BASINS OF ALL TYPES SHALL CONFORM TO THE REQUIREMENTS OF A.S.T.M. A-48, CLASS 30, AND SHALL BE FURNISHED WITHOUT PAINT (AASHTO M306-89)



SQUARE D.I.

NOTE:
SOLID COVERS ARE AVAILABLE ON REQUEST.

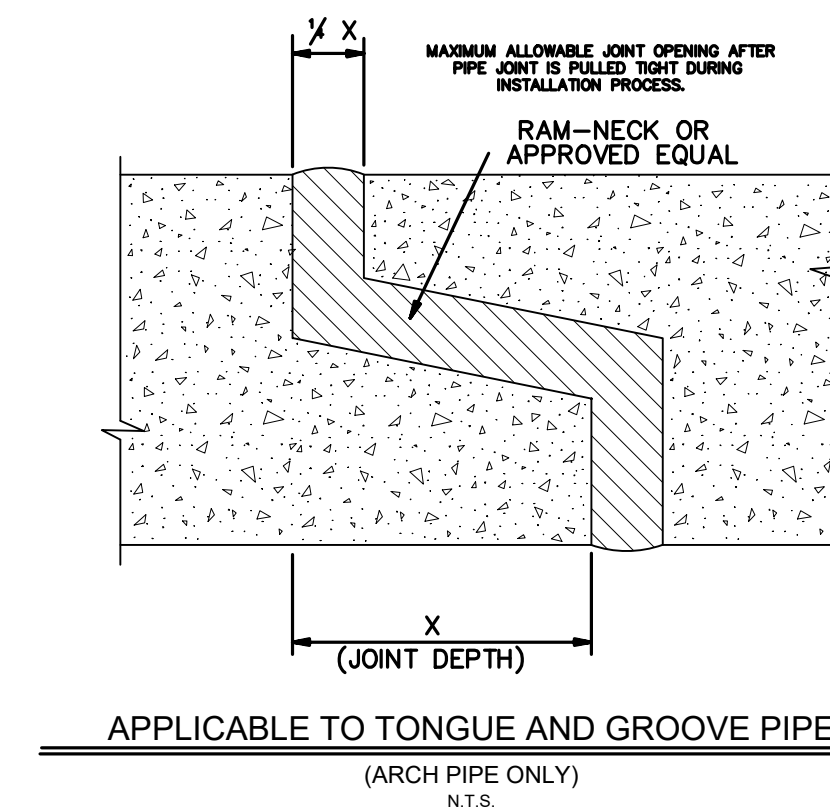
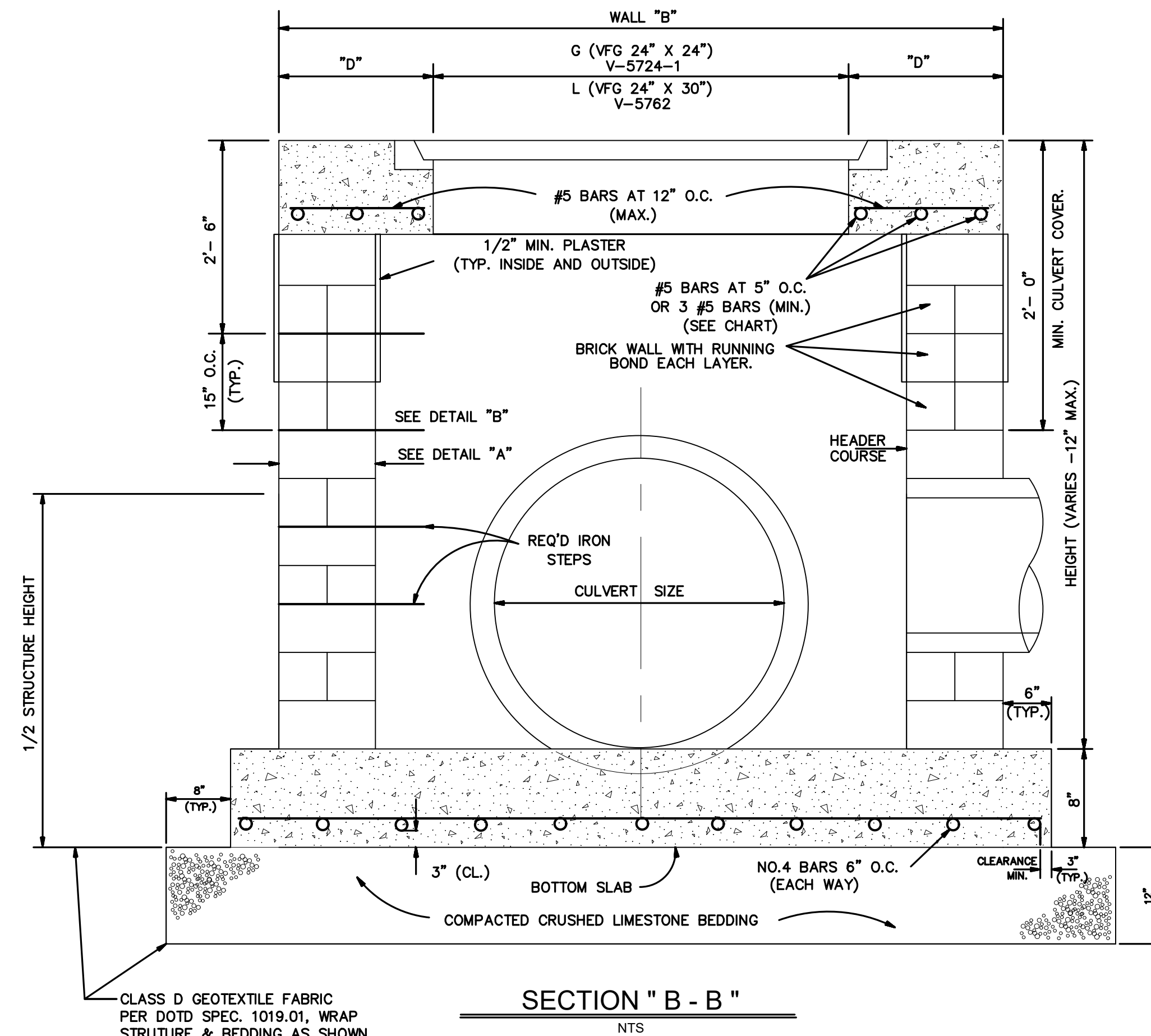
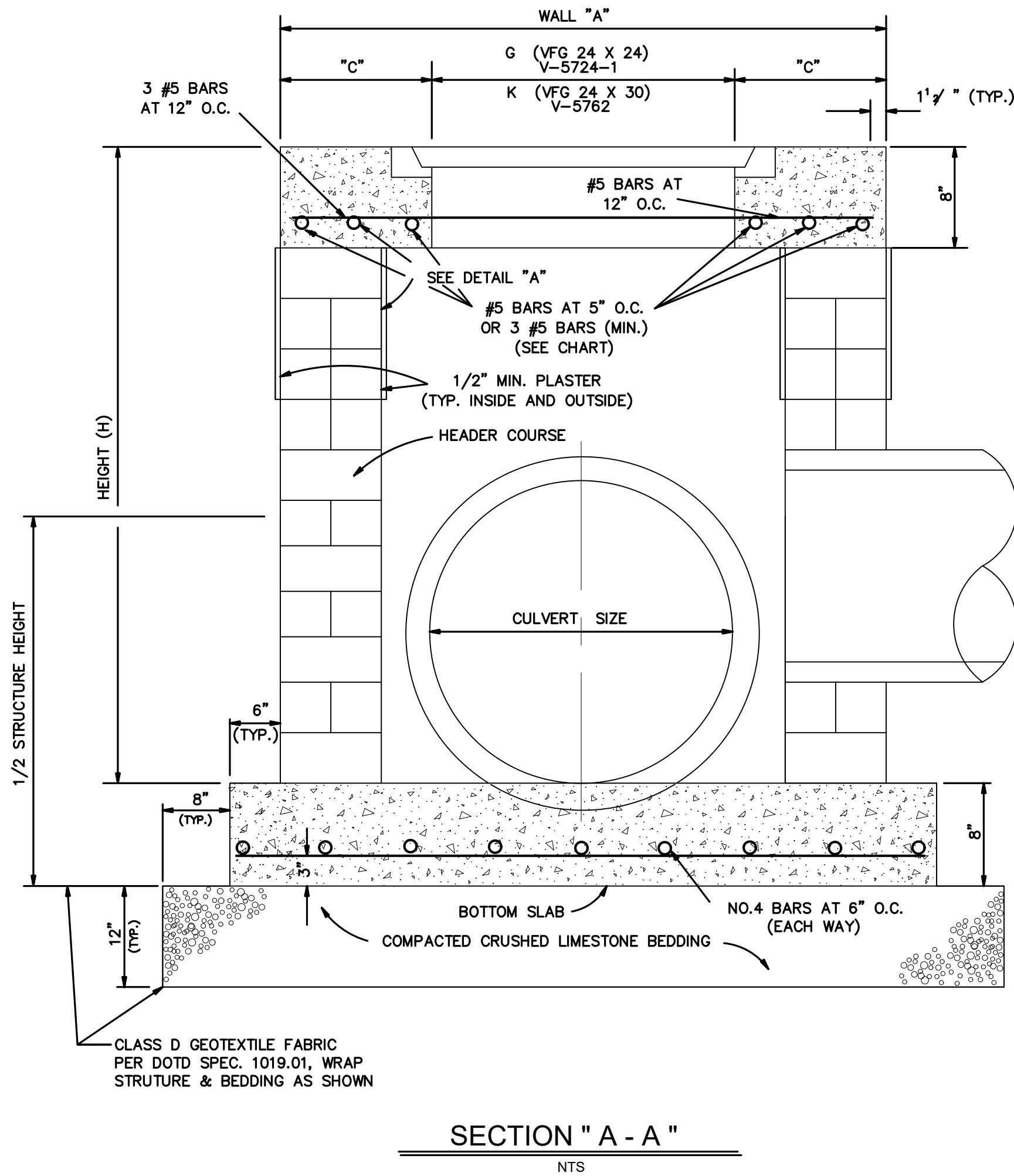
B & S = BELL & SPIGOT
T & G = TONGUE & GROOVE
W.I. = WROUGHT IRON



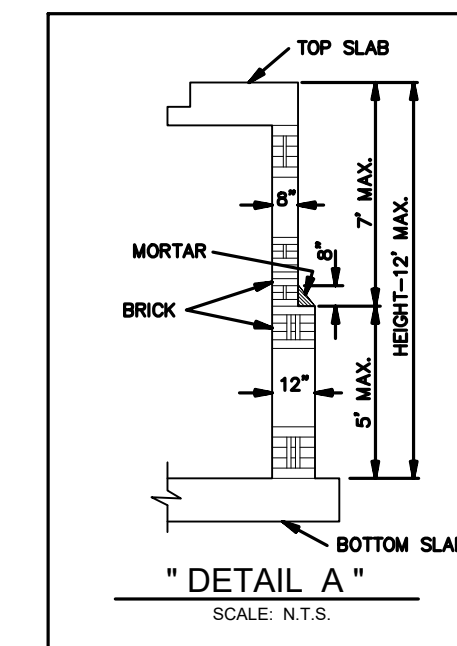
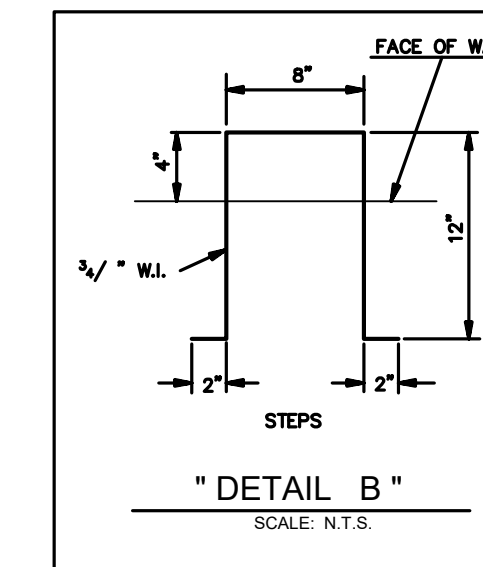
RECTANGULAR D.I.

SQUARE " GRATE " (V-5724-1)							
CULVERT SIZE	BOTTOM SLAB	TOP SLAB (A & B)	C & D	CULVERT SIZE	BOTTOM SLAB	TOP SLAB	C & D
12"DIA.	4'-2" X 4'-2"	3'-2" X 3'-2"	7 7/8"	21"DIA. X 24"DIA.	5'-0" X 5'-0"	4'-6" X 4'-6"	15 7/8"
15"DIA.	4'-4" X 4'-4"	3'-4" X 3'-4"	8 7/8"	27"DIA. X 30"DIA.	6'-0" X 6'-0"	5'-0" X 5'-0"	18 7/8"
18"DIA.	4'-6" X 4'-6"	3'-6" X 3'-6"	9 7/8"	36"DIA.	6'-6" X 6'-6"	5'-6" X 5'-6"	21 7/8"

RECTANGULAR " GRATE " (V-5762)				
CULVERT SIZE ON WALLS A & B	WALL "A"	" C "	WALL "B"	" D "
21"DIA. & 24"DIA. B & S	4'-6"	15" (3 NO.5 BARS)	4'-6"	15" (3 NO.5 BARS)
27"DIA. & 30"DIA. B & S	5'-0"	18" (3 NO.5 BARS)	5'-0"	15" (3 NO.5 BARS)
36"DIA. B & S	5'-9"	22 1/2" (3 NO.5 BARS)	5'-9"	19 1/2" (3 NO.5 BARS)
42"DIA. B & S	6'-6"	27" (4 NO.5 BARS)	6'-6"	24" (4 NO.5 BARS)
48"DIA. B & S	7'-0"	30" (5 NO.5 BARS)	7'-0"	27" (4 NO.5 BARS)
54"DIA. T & G	7'-3"	31 1/2" (5 NO.5 BARS)	7'-3"	28 1/2" (5 NO.5 BARS)
60"DIA. T & G	7'-9"	35" (6 NO.5 BARS)	7'-9"	32" (6 NO.5 BARS)
72"DIA. T & G	9'-0"	42" (7 NO.5 BARS)	9'-0"	39" (7 NO.5 BARS)



ARCH PIPE (RISE X SPAN)	X (INCHES)	Y (INCHES)
13 1/4" X 22"	2"	1/2"
15 1/2" X 26"	2 1/4"	3/4"
18" X 28 1/2"	3"	1"
22 1/2" X 36 1/4"	3 3/4"	1 1/4"
26 1/2" X 43 3/4"	3"	3/4"
31 1/2" X 51 1/4"	3 1/2"	1"
36" X 58 1/2"	4 1/4"	1 1/4"
40 1/2" X 65"	5 1/4"	1 3/4"
45" X 73 1/2"	5"	1 1/2"
54" X 88"	6"	1 1/2"
62 1/2" X 102"	6 1/4"	1 3/4"
77 1/2" X 122"	7"	1 3/4"



PROJECT NAME :

PROJECT NUMBER:



DATE: 06.09.2019
DRAWN BY: MF/AR
SCALE: NTS
FILENAME: S:\Public Works Shared\St. Bernard Standard Details

ST. BERNARD PARISH GOVERNMENT
STANDARD DETAIL PLANS
DRAINAGE DETAILS (3 OF 3)

APPROVED BY: _____
DRAWING NUMBER: SD - 7
DATE: _____
THIS DOCUMENT WILL BE CONSIDERED A COPY ONLY, UNLESS EMBOSSED BY A REGISTERED ENGINEER'S SEAL.
SHEET 7 OF 13