

# St. Bernard Parish Conformed Copy

---

Randy S. Nunez  
Clerk of Court  
St. Bernard Parish Courthouse  
Chalmette, LA 70044  
(504) 271-3434

---

**Received From :**  
ST BERNARD PARISH GOVERNMENT  
8201 WEST JUDGE PEREZ DRIVE  
ATTENTION: RONNIE ALONZO CAO  
CHALMETTE, LA 70043

**First MORTGAGOR**

L&A CONTRACTING COMPANY

**First MORTGAGEE**

ST BERNARD PARISH

**Index Type :** MORTGAGES

**File Number :** 605895

**Type of Document :** CHANGE

**Book :** 1822      **Page :** 126

**Recording Pages :** 5

**Description :** CHANGE ORDER 01 -PROJECT RAW WATER INTAKE ACCESS BRIDGE

## Recorded Information

---

I hereby certify that the attached document was filed for registry and recorded in the Clerk of Court's office for St. Bernard Parish, Louisiana

On (Recorded Date) : 12/14/2016

At (Recorded Time) : 10:34:26AM



Doc ID - 007725890005

BURK-KLEINPETER, INC.  
4176 CANAL STREET  
NEW ORLEANS, LA 70119

DATE 9/27/2016  
JOB NO. PW16844  
CHANGE ORDER NO. ONE (1)  
AMOUNT \$4,340.45

CONTRACTOR: L&A Contracting Company

ADDRESS: 100 Sims Road  
Hattiesburg, MS 39401

PROJECT Raw Water Intake Access Bridge  
FEMA PW 16844

GENTLEMEN:  
UNDER YOUR CONTRACT With  
St. Bernard Parish, OWNER, FOR Raw Water Intake Access Bridge  
St. Bernard Parish, Louisiana

WE ARE AUTHORIZED BY THE OWNER TO HEREBY DIRECT YOU TO THE FOLLOWING CHANGES AS INDICATED BELOW:

ENGINEER'S DESCRIPTION, EXPLANATION AND ESTIMATED COST OF PROPOSED REVISION

This change order includes the change in contract quantities due to the FEMA eligible field change to remove the existing damage elevated metal access bridge and install a new concrete access bridge, bridge bents, timber piles, timber bracing and guardrail.

ITEM NO.	DESCRIPTION	UNIT	UNIT PRICE	REVISED		CURRENT	
				QUANTITY	AMOUNT	QUANTITY	AMOUNT
S-004	Removal and Disposal of 1 1/2" O.D. Steel Guardrail	LF	\$2.77	1662	\$4,603.74	1640	\$4,542.80
S-006	Removal and Disposal of Structural Steel	Ton	\$150.00	77.0	\$11,550.00	73.8	\$11,070.00
S-007	Removal and Disposal of Timber Lateral Bracing	LF	\$1.75	1342.0	\$2,348.50	1312.0	\$2,296.00
S-008	Remove and Dispose of Treated Timber Pile	EA	\$57.00	82.0	\$4,674.00	80.0	\$4,560.00
S-009	Remove and Dispose of Wooden Curb	LF	\$1.26	1,818	\$2,290.68	1,800	\$2,268.00
S-014	Furnish and Install Class 'B' Treated Timber Piles (60' Long)	LF	\$17.00	5,400	\$91,800.00	5,280	\$89,760.00
S-015	Furnish and Install Treated Timber Lateral Bracing	EA	\$360.60	47	\$16,948.20	46	\$16,587.60
S-016	Furnish and Install Precast Concrete Pile Caps	EA	\$4,143.60	47	\$194,749.20	45	\$186,462.00
S-017	Furnish and Install 8" Thick Precast Concrete Panel	SF	\$38.00	8,448	\$321,024.00	8,310	\$315,780.00
S-018	Furnish and Install 1 1/2" Dia. Galv. Steel Guardrail	LF	\$64.69	1,807	\$116,894.83	1,770	\$114,501.30
S-025	Furnish and Install Metal Bridge	SF	\$245.25	0	\$0.00	60	\$14,715.00
ADDITIONAL CONTRACT DAYS	0	AMOUNT OVERRUN	\$4,340.45	TOTAL	\$766,883.15	TOTAL	\$762,542.70

X ADD TO  
DEDUCT FROM

THE CONTRACT, THE SUM OF

TOTAL

\$4,340.45

THERE WILL BE AN EXTENSION OF 0 CALENDAR DAYS FOR COMPLETION WITH NO EXTENDED OVERHEAD.

AMOUNT OF ORIGINAL CONTRACT \$1,180,191.20  
TOTAL ADDITIONS  
CHANGE ORDER # 1 \$4,340.45  
TOTAL DEDUCTIONS \$0.00  
TO DATE \$1,184,531.65

ACCEPTED BY: BURK, KLEINPETER, INC.  
ENGINEERS, ARCHITECTS, PLANNERS, ENVIRONMENTAL SCIENTISTS

BY *Michael G. Jackson*  
Michael G. Jackson, PE, VP

DATE: *Oct 20, 2016*

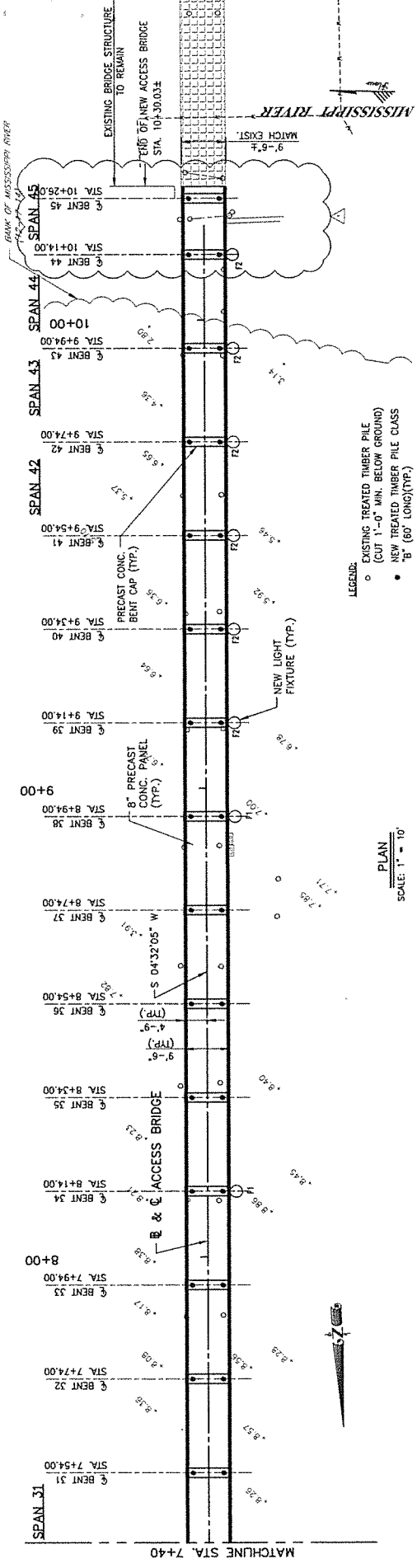
ACCEPTED: L&A CONTRACTING COMPANY

BY *D. Lee Sims* D. LEE SIMS  
DATE: *10-24-16* PRES.

ACCEPTED: ST. BERNARD PARISH

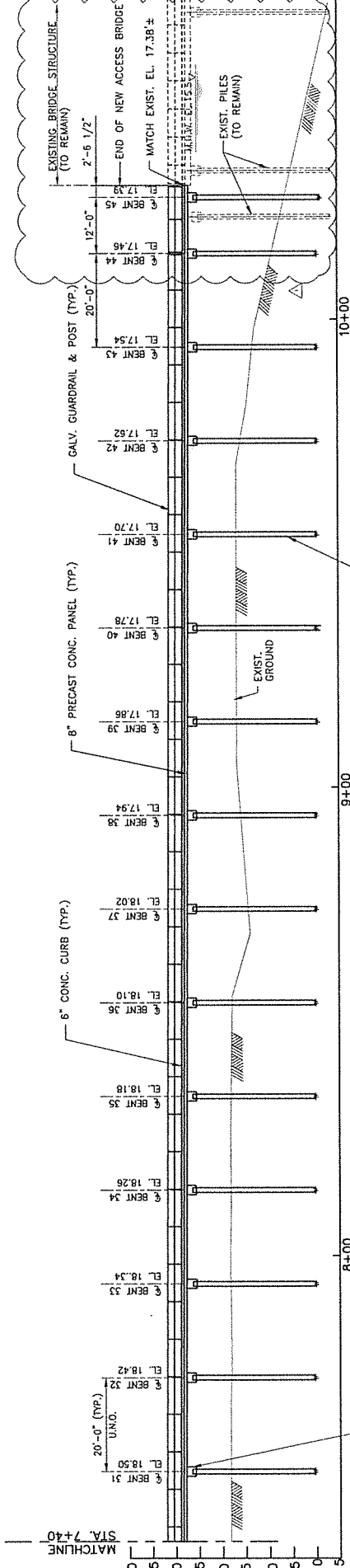
BY *[Signature]*

DATE: *12/12/16*

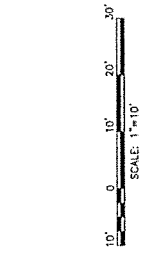


**LEGEND:**  
 ○ EXISTING TREATED TIMBER PILE  
 (CUT 1'-0" MIN. BELOW GROUND)  
 ● NEW TREATED TIMBER PILE CLASS  
 "B" (60' LONG)(TYP.)

**PLAN**  
 SCALE: 1" = 10'

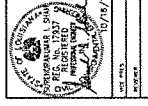


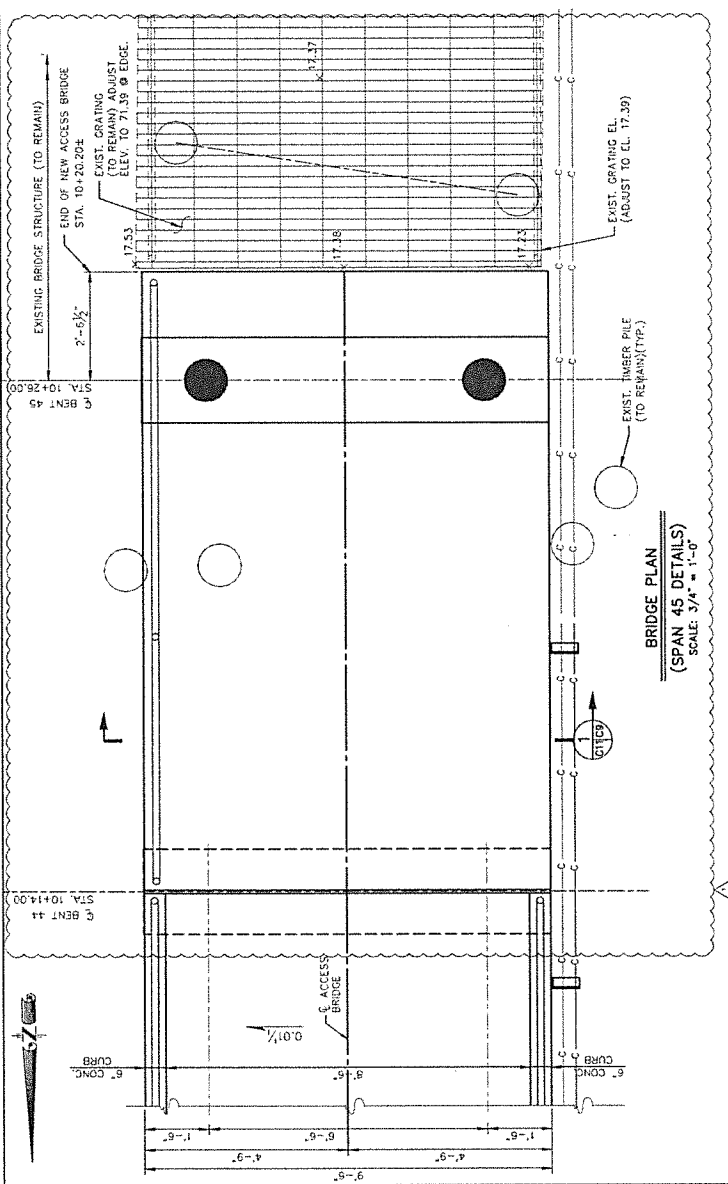
**ELEVATION**  
 SCALE: 1" = 10'



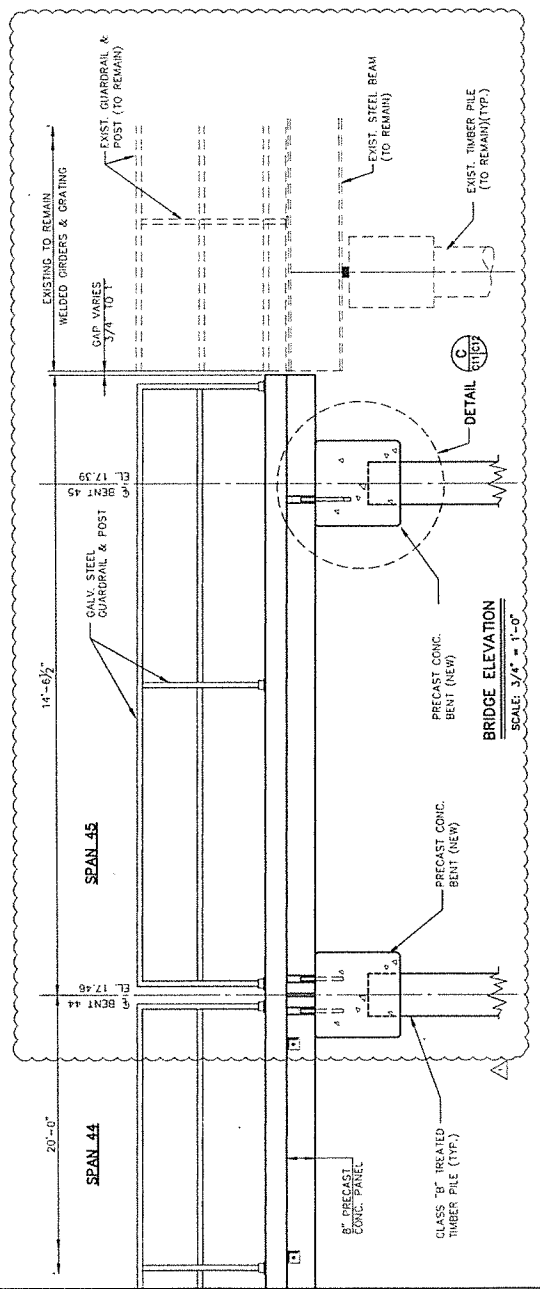
- NOTES:**
1. ALL TIMBER PILES SHALL BE CLASS "B" WITH 12" BUTT & 7" LIGHT FIXTURES NOT SHOWN IN ELEVATION VIEW FOR CLARITY.
  2. CONTRACTOR TO FIELD VERIFY ELEVATIONS @ TIE-IN LOCATIONS FOR BRIDGE.
  - 3.

Burk-Kleinpeter, Inc.	
Engineers, Architects, Planners, Environmental Scientists 1415 South Loop West, Suite 200, Houston, Texas 77005	
PROJECT NO.	10/19/13
DATE	10/19/13
SCALE	AS SHOWN
PROJECT	ST. BERNARD PARISH RAW WATER INTAKE ACCESS BRIDGE
PROJECT NO.	No. 14,044
DATE	04/20/13
SCALE	AS SHOWN
PROJECT	ST. BERNARD PARISH RAW WATER INTAKE ACCESS BRIDGE
PROJECT NO.	No. 14,044
DATE	04/20/13
SCALE	AS SHOWN
PROJECT	ST. BERNARD PARISH RAW WATER INTAKE ACCESS BRIDGE

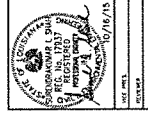
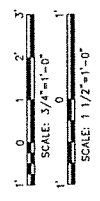




**BRIDGE PLAN**  
**(SPAN 45 DETAILS)**  
SCALE: 3/4" = 1'-0"



**BRIDGE ELEVATION**  
SCALE: 3/4" = 1'-0"

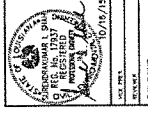
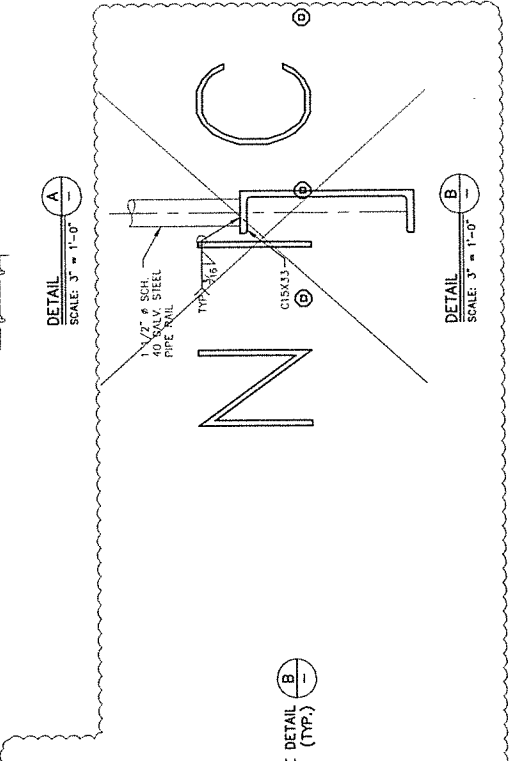
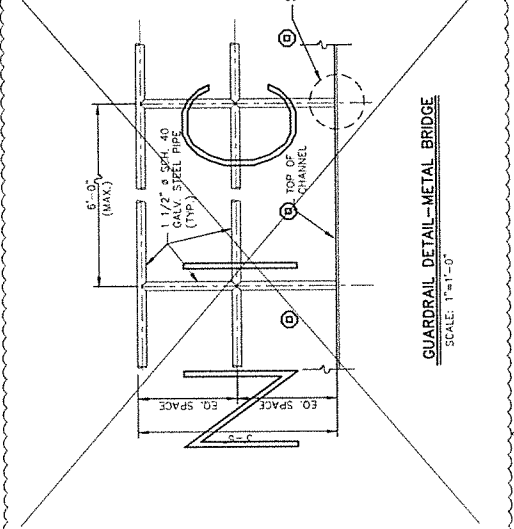
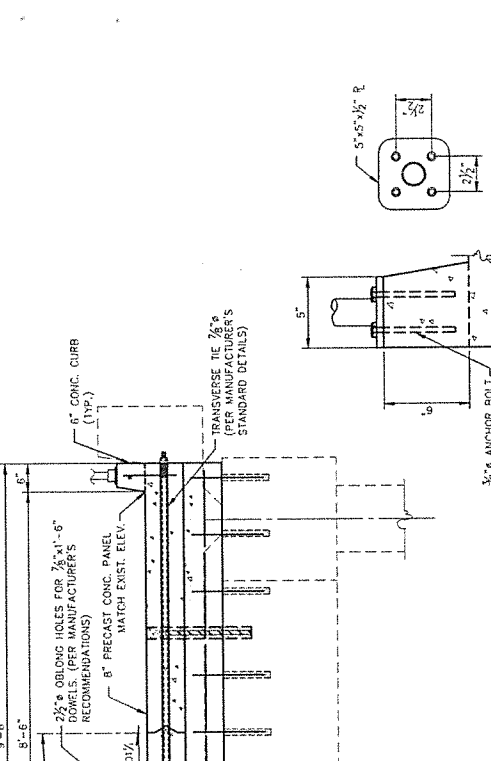
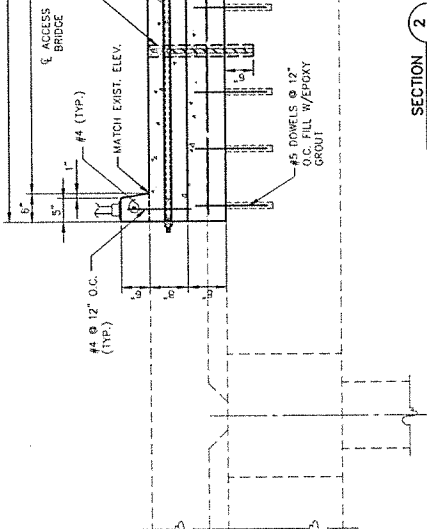
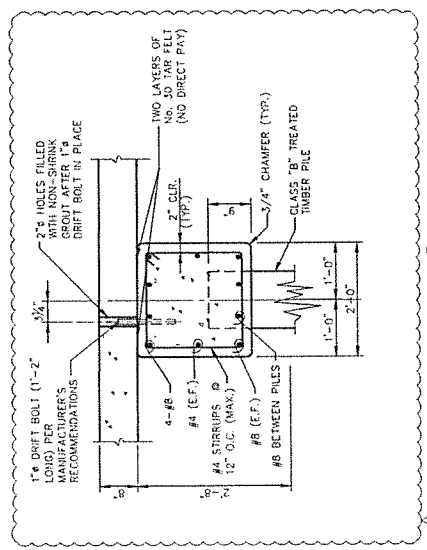


**Burk-Kleinpeter, Inc.**  
Engineers, Architects, Planners, Environmental Scientists  
4179 South Lakes Boulevard, Metairie, Louisiana 70001

FEMA PW16844  
**ST. BERNARD PARISH**  
**RAW WATER INTAKE ACCESS BRIDGE**

**BRIDGE SPANS DETAILS**

NO. 14,044	REVISED BY	DATE	SCALE
			C11.0
			1/16" = 1'-0"



FEMA PW16844  
**ST. BERNARD PARISH**  
**RAW WATER INTAKE ACCESS BRIDGE**  
 BRIDGE SPANS DETAILS

Burk-Kleinpetter, Inc.  
 4170 Canal Street, New Orleans, Louisiana 70119

NO. 14,044  
 DATE: 04/2013  
 SCALE: SS

